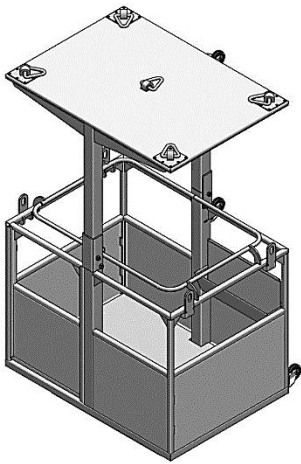




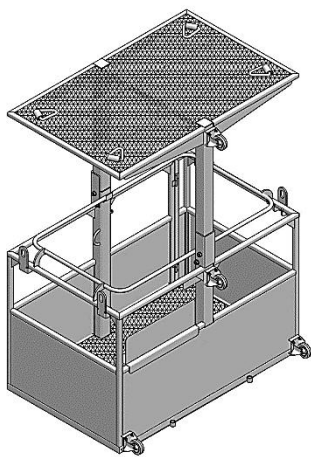
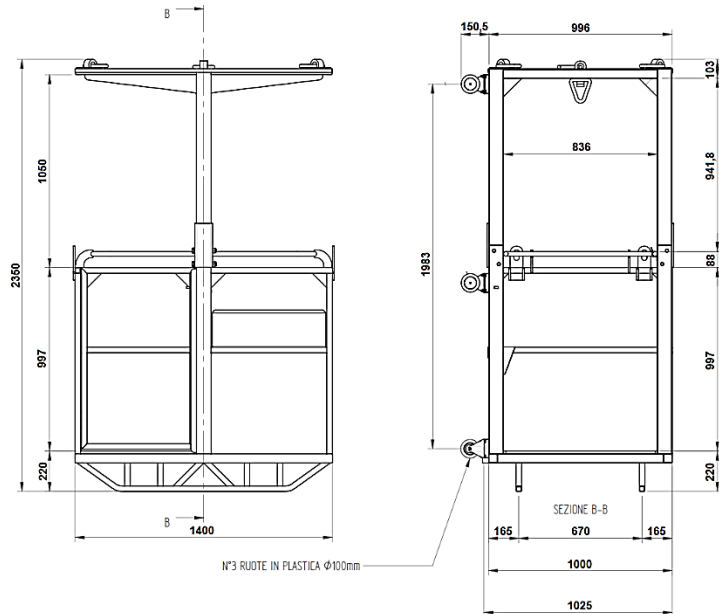
### CESTELLI PORTA OPERATORE – PERSONNEL BASKETS



Sospeso - Per gru a torre  
Suspended – For tower

In conformità EN 14502-1-2010  
According to EN 14502-1-2010

FTB 2 500	1000x1400x2200 mm	350 Kg	300 daN	2
-----------	-------------------	--------	---------	---



Sospeso - Per gru a torre  
Suspended – For tower

In conformità EN 14502-1-2010  
According to EN 14502-1-2010

FTB 3 550	1000x1600x2300 mm	495 Kg	450 daN	3
-----------	-------------------	--------	---------	---

