

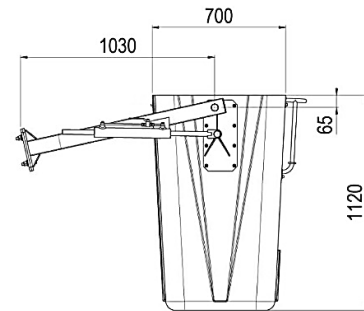
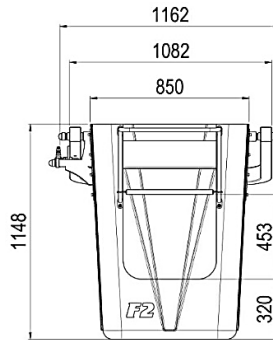


CESTELLI PORTA OPERATORE – PERSONNEL BASKETS



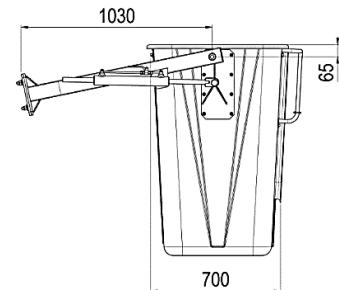
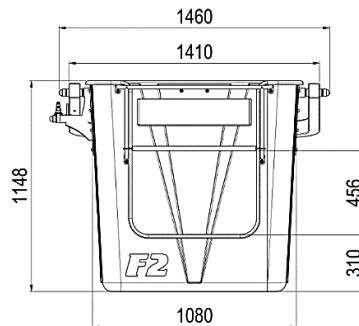
FAV 1 VETRORESINA FIBERGLASS	700x850x1150 mm	90 Kg	120 daN	1 Kv	1
---	-----------------	-------	---------	------	---

In conformità EN 280 – According to EN 280



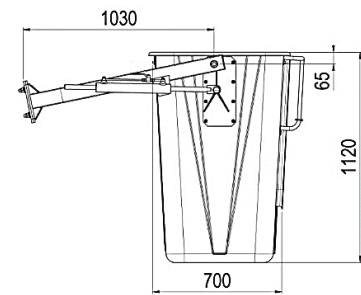
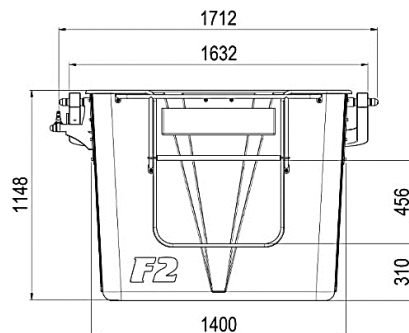
FAV 1080 VETRORESINA FIBERGLASS	700x1080x1150 mm	94 Kg	200 daN	1 Kv	2
--	------------------	-------	---------	------	---

In conformità EN 280 – According to EN 280



FAV 2 VETRORESINA FIBERGLASS	700x1400x1150 mm	100 Kg	200 daN	1 Kv	2
---	------------------	--------	---------	------	---

In conformità EN 280 – According to EN 280



I dati possono essere variati senza preavviso – Technical data can be revised without prior notice