

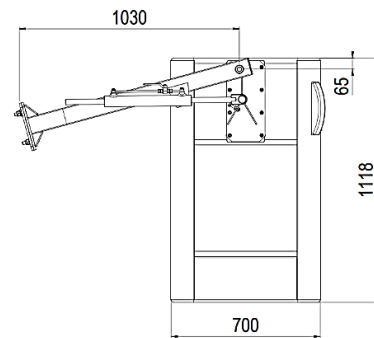
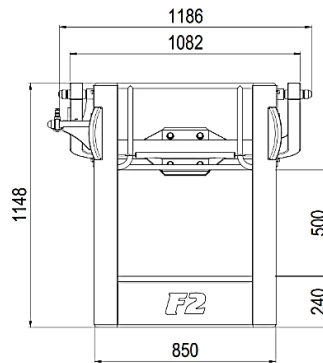


CESTELLI PORTA OPERATORE – PERSONNEL BASKETS



FAB 1 S ACCIAIO STEEL	700x850x1150 mm	96 Kg	120 daN	1 Kv	1
FAB 1 ALLUMINIO ALLUMINIUM	700x850x1150 mm	74 Kg	120 daN	1 Kv	1

In conformità EN 280 – According to EN 280



FAB 2 S ACCIAIO STEEL	700x1400x1150 mm	110 Kg	200 daN	1 Kv	2
FAB 2 ALLUMINIO ALLUMINIUM	700x1400x1150 mm	88 Kg	200 daN	1 Kv	2

In conformità EN 280 – According to EN 280

